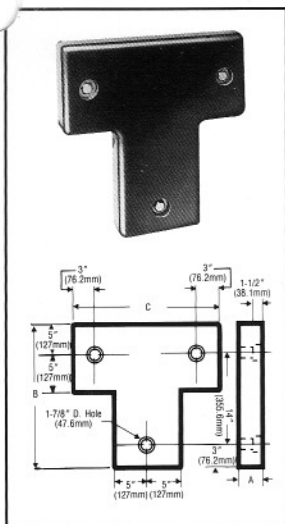
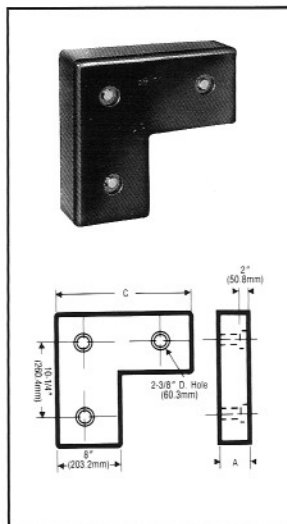


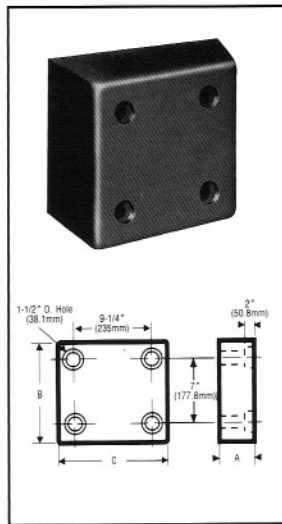
# Molded Dock Bumpers



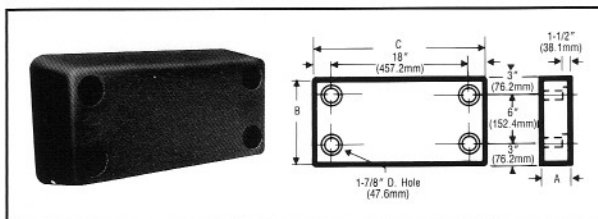
Model T



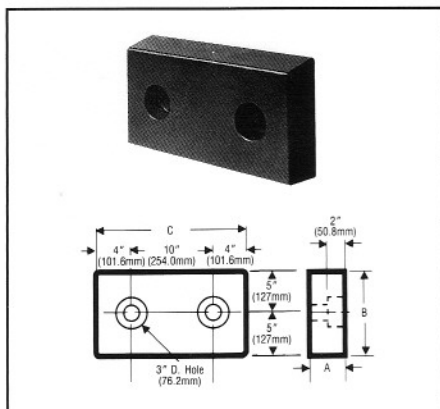
Model L



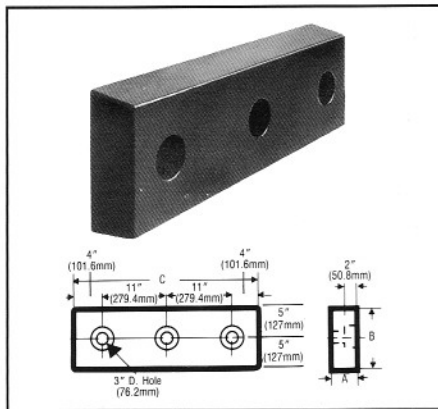
Model R



Model B Series



Model M-18 and M-318



Model M-30 and M330

## USES / APPLICATIONS

- perfect protection for any high-traffic truck docks
- In-plant wall protection from forklifts and other material handling vehicles

## FEATURES

- makes for a clean, neat, attractive dock area
- molded in one piece
- won't warp, rust, rot, or harden
- compact size

## BENEFITS

- economical
- unique design and construction achieves high impact resistance and long life
- immune to all weather conditions
- maintenance-free
- all stock items shipped within 24 hours
- contains the correct amount of resiliency to absorb pressure and impact shock without damage to truck or dock

## MATERIAL / THICKNESS

- manufactured from fiber reinforced prime rubber containing nylon and polyester
- comes in models varying in thickness from 2" (50.8mm) to 6" (152.4mm)
- all bumpers have an impact recovery (ASTM 1170) of 95% with a durometer reading of 80 plus or minus 5.
- Tensil: 950-1050 PSI.
- all models have pre-drilled, countersunk mounting holes for easy installation, and are drilled to accept 3/4" (19.2 mm) anchor bolts

## INSTALLATION

- installation is easy—3/4" (19.2mm) anchor bolts are mounted through pre-drilled holes into dock

## SPECIFICATIONS

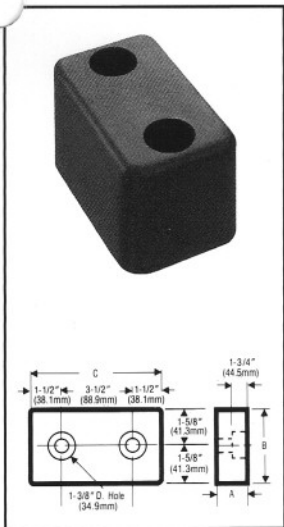
- Furnish and install molded dock bumpers as manufactured by Durable Corporation, Norwalk, Ohio. Model No(s) \_\_\_\_\_ . Molded in one piece of all new nylon and new polyester reinforced rubber.
- Bumper to have a durometer reading of 80 plus or minus 5.0; tensile strength of 950-1050 PSI; and an impact recovery (ASTM 1170) of 95%.

Model	A Thickness	B Height	C Width	Bolt Size	No. of Bolts	Wt Lbs
T*	3" (76.2mm)	22" (558.8mm)	22" (558.8mm)	3/4" x 4" (19.1mm x 101.6mm)	3	30 (13.60kg)
L	4" (101.6mm)	18" (457.2mm)	18" (457.2mm)	3/4" x 6" (19.1mm x 152.4mm)	3	25 (11.34kg)
R	4" (101.6mm)	12" (304.8mm)	13" (330.2mm)	3/4" x 6" (19.1mm x 152.4mm)	4	20 (9.07kg)
B*	3" (76.2mm)	12" (304.8mm)	24" (609.6mm)	3/4" x 4" (19.1mm x 101.6mm)	4	25 (11.34kg)
BB*	4" (101.6mm)	12" (304.8mm)	24" (609.6mm)	3/4" x 6" (19.1mm x 152.4mm)	4	34 (15.42kg)
BBB*	6" (152.4mm)	12" (304.8mm)	24" (609.6mm)	3/4" x 6" (19.1mm x 152.4mm)	4	57 (25.86kg)
M-18	4" (101.6mm)	10" (254.0mm)	18" (457.2mm)	3/4" x 6" (19.1mm x 152.4mm)	2	22 (9.98kg)
M-318	3" (76.2mm)	10" (254.0mm)	18" (457.2mm)	3/4" x 4" (19.1mm x 101.6mm)	2	16 (7.26kg)
M-30	4" (101.6mm)	10" (254.0mm)	30" (762.0mm)	3/4" x 6" (19.1mm x 152.4mm)	3	38 (17.23kg)
M-330	3" (76.2mm)	10" (254.0mm)	30" (762.0mm)	3/4" x 4" (19.1mm x 101.6mm)	3	28 (12.70kg)

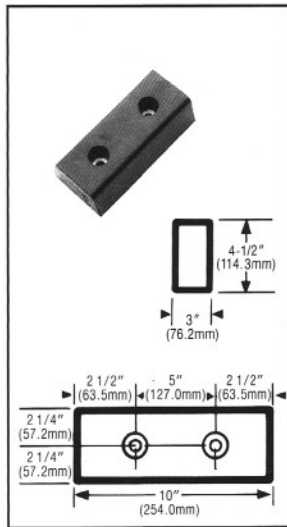
Products are supplied with red reflectors.

Pittsburgh Material Handling  
PH: 888-557-1515 FAX: 888-564-2525

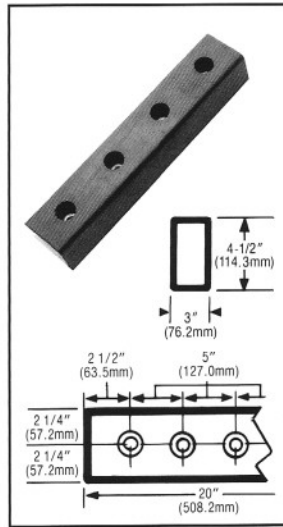
# Molded Dock Bumpers



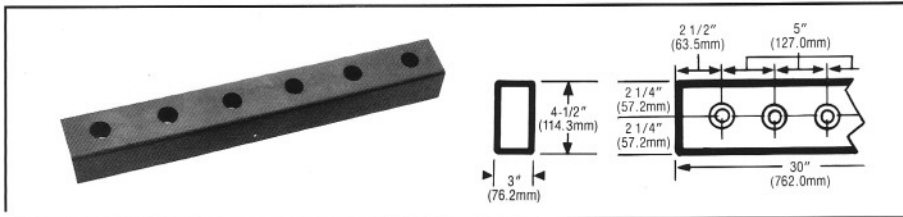
Model TB-20



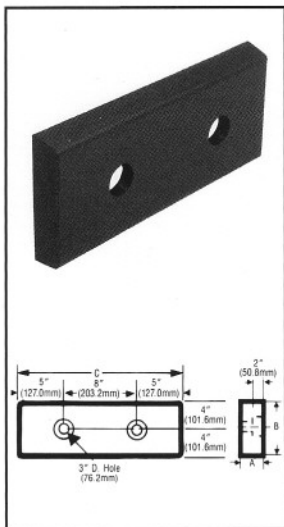
Model DBE-10



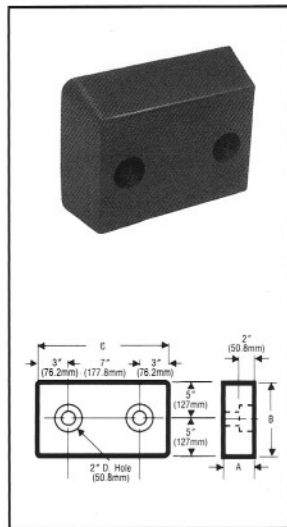
Model DBE-20



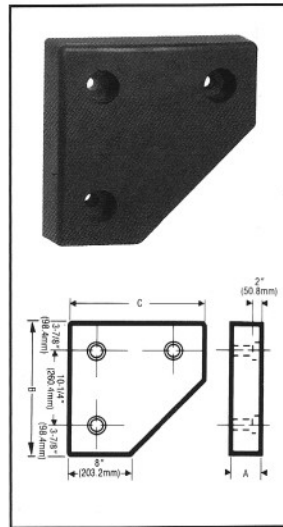
Model DBE-30



Model M-2818



Model DB-13



Model AD-41818

## USES / APPLICATIONS

- perfect protection for any high-traffic truck docks
- in-plant wall protection from forklifts and other material handling vehicles

## FEATURES

- makes for a clean, neat, attractive dock area
- molded in one piece of all new rubber compounds
- won't warp, rust, rot, or harden
- compact size

## BENEFITS

- economical
- unique design and construction achieves high impact resistance and long life
- immune to all weather conditions
- maintenance-free
- all stock items shipped within 24 hours
- contains the correct amount of resiliency to absorb pressure and impact shock without damage to truck or dock

## MATERIAL / THICKNESS

- manufactured from fiber reinforced prime rubber containing nylon and polyester
- comes in models varying in thickness from 2" (50.8mm) to 6" (152.4mm)
- all bumpers have an impact recovery (ASTM 1170) of 95% with a durometer reading of 80 plus or minus 5.
- Tensile: 950-1050 PSI.
- all models have pre-drilled, countersunk mounting holes for easy installation, and are drilled to accept 3/4" (19.05 mm) anchor bolts

## INSTALLATION

- installation is easy—3/4" (19.1mm) anchor bolts are mounted through pre-drilled holes into dock

## SPECIFICATIONS

- Furnish and install molded dock bumpers as manufactured by Durable Corporation, Norwalk, Ohio. Model No(s) \_\_\_\_\_ . Molded in one piece of all new nylon and new polyester reinforced rubber.
- Bumper to have a durometer reading of 80 plus or minus 5.0; tensile strength of 950-1050 PSI; and an impact recovery (ASTM 1170) of 95%.

Model	A Thickness	B Height	C Width	Bolt Size	No. of Bolts	Wt Lbs
TB-20	3 1/2" (88.9mm)	3 1/4" (82.3mm)	6 1/2" (165.1mm)	1/2" x 4" (12.7mm x 101.6mm)	2	3 (1.36kg)
DBE-10	3" (76.2mm)	4 1/2" (114.3mm)	10" (254.0mm)	1/2" x 4" (12.7mm x 101.6mm)	2	5 (2.27kg)
DBE-20	3" (76.2mm)	4 1/2" (114.3mm)	20" (508.0mm)	1/2" x 4" (12.7mm x 101.6mm)	4	10 (4.54kg)
DBE-30	3" (76.2mm)	4 1/2" (114.3mm)	30" (762.0mm)	1/2" x 4" (12.7mm x 101.6mm)	6	15 (6.80kg)
M-2818	2" (50.8mm)	8" (203.2mm)	18" (457.2mm)	1/2" x 4" (12.7mm x 101.6mm)	2	11 (4.99kg)
DB-13	4" (101.6mm)	10" (254.0mm)	13" (330.2mm)	3/4" x 6" (19.1mm x 152.0mm)	2	17 (7.71kg)
AD-41818	4" (101.6mm)	18" (457.2mm)	18" (457.2mm)	3/4" x 6" (19.1mm x 152.0mm)	3	35 (15.88kg)

Pittsburgh Material Handling  
PH: 888-557-1515 FAX: 888-564-2525