

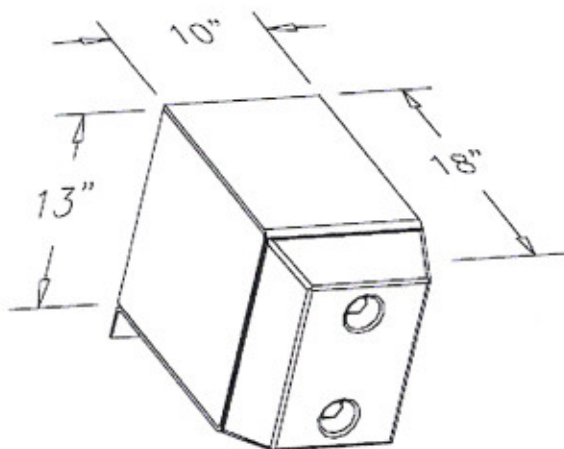
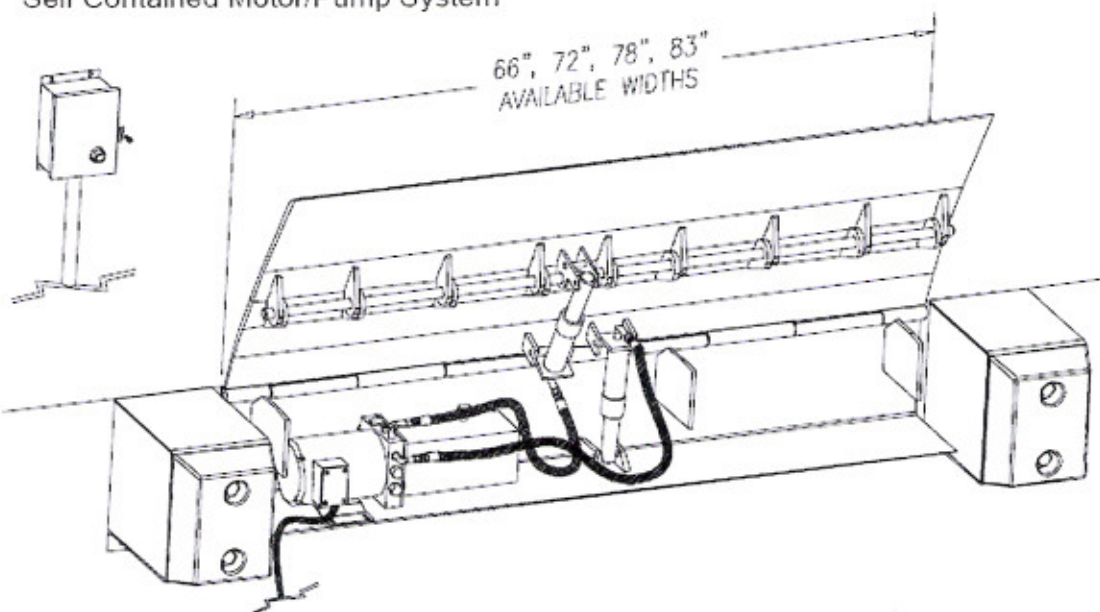
PITTSBURGH Material Handling

Branch Office:
66 Leake St. East Palestine, Ohio 44413
Cell: (724) 816-5177 - Fax/Phone: (877) 277-0001

Corporate Office:
PO Box 40 Central City, Pa. 15926
Phone: (888) 557-1515 - Fax (888) 564-2525

STANDARD FEATURES:

- Lug Type Lip Hinge
- Fully Hydraulic Lip
- Fixed Rear Hinge (No Pinch Point)
- 5" Service Range Above and Below
- Self Contained Motor/Pump System
- Single Pushbutton Activation
- 16" Lip (With 18" Option)
- Automatic Return to Dock
- Solid Steel Bumper Blocks



MATERIAL SPECIFICATIONS:

- A. 1/2" (30K) OR 3/8" (20K) 50 ksi. TREAD PLATE LIP
- B. 1/2" (30K) OR 3/8" (20K) SELF CLEANING LIP LUGS
- C. 1" PLATED LIP HINGE ROD
- D. 1/2" (30K) OR 3/8" (20K) 50 ksi. TREAD PLATE DECK
- E. FULL WIDTH PLATED REAR HINGE ROD
- F. 10" X 13" X 4" MOULDED BUMPERS