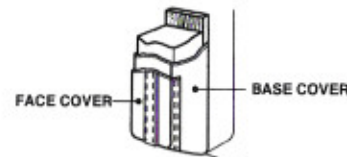
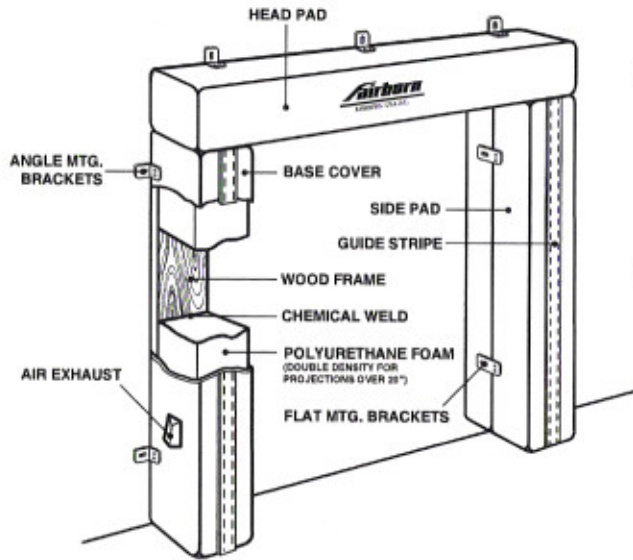
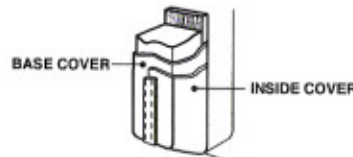


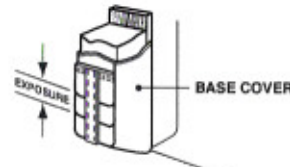
**SERIES 1000**  
DOCK SEAL



REINFORCED FACE

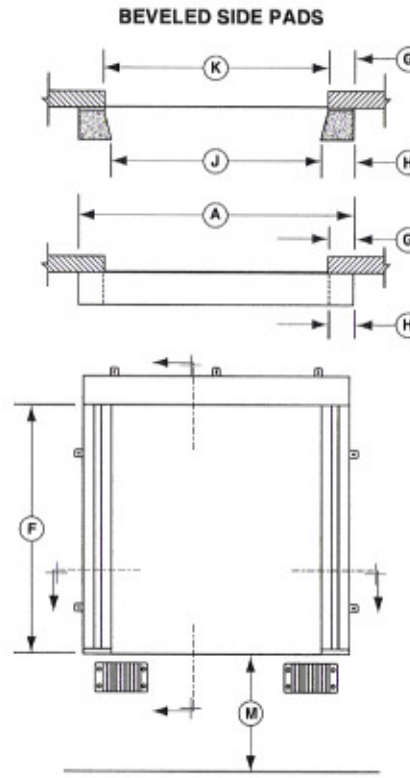


REINFORCED INSIDE

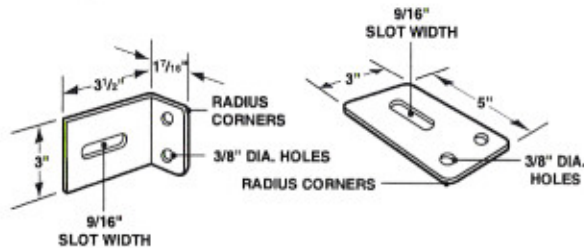


DYNA-ARMOR PLEATS

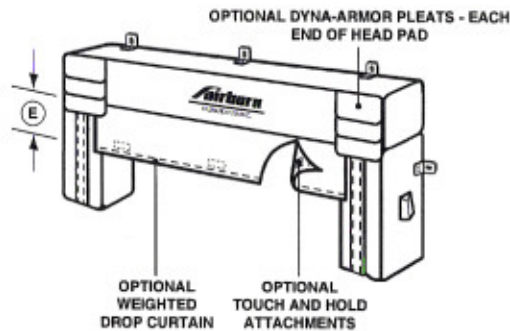
- 4" EXPOSURE
- 8" EXPOSURE
- 16" EXPOSURE



BEVELED HEAD PAD



ANGLE AND FLAT MOUNTING BRACKETS



<p><b>HEAD PAD DATA</b></p> <p>MOUNTING: <input type="checkbox"/> OVER SIDE PADS <input type="checkbox"/> BETWEEN SIDE PADS</p> <p>____ "A" WIDTH AT REAR ____ "B" HEIGHT ____ "C" HEIGHT AT FACE ____ "D" TOTAL PROJECTION</p> <p>____ BASE FABRIC ____ COLOR</p> <p><input type="checkbox"/> BLOCKOUT (IF REQUIRED) PROJ. _____ ____ FABRIC ____ COLOR</p> <p><input type="checkbox"/> FACE REINFORCEMENT ____ FABRIC ____ COLOR</p> <p><input type="checkbox"/> UNDERSIDE REINFORCEMENT ____ FABRIC ____ COLOR</p> <p><input type="checkbox"/> DYNA-ARMOR ENDS ____ FABRIC ____ COLOR ____ * PLEAT EXPOSURE</p> <p><input type="checkbox"/> FORMED STEEL BACK <input type="checkbox"/> PAINTED <input type="checkbox"/> GALVANIZED</p>	<p><input type="checkbox"/> NON-ROT BACK</p> <p><input type="checkbox"/> WEIGHTED DROP CURTAIN ____ "E" HEIGHT ____ FABRIC ____ COLOR</p> <p><input type="checkbox"/> TOUCH &amp; HOLD ATTACHMENT</p> <p><input type="checkbox"/> ROPE/PULLEY SYSTEM</p> <p><b>SIDE PAD DATA</b></p> <p>____ "F" LENGTH AT REAR ____ "G" WIDTH AT REAR ____ "H" WIDTH AT FACE ____ "D" TOTAL PROJ. AT TOP ____ "I" TOTAL PROJ. AT BOTTOM ____ "J" SIDE PAD FACE LD. ____ BASE FABRIC ____ COLOR</p> <p><input type="checkbox"/> BLOCKOUT (IF REQUIRED) PROJ. ____ TOP ____ BOTTOM ____ FABRIC ____ COLOR</p> <p><input type="checkbox"/> FACE REINFORCEMENT ____ FABRIC ____ COLOR</p>	<p><input type="checkbox"/> INSIDE EDGE REINFORCEMENT ____ FABRIC ____ COLOR</p> <p><input type="checkbox"/> DYNA-ARMOR PLEATS ____ FABRIC ____ COLOR ____ * PLEAT EXPOSURE</p> <p><input type="checkbox"/> FORMED STEEL BACK <input type="checkbox"/> PAINTED <input type="checkbox"/> GALVANIZED</p> <p><input type="checkbox"/> NON-ROT BACK</p> <p><b>GENERAL INFORMATION</b></p> <p>____ "K" DOOR WIDTH ____ "L" DOOR HEIGHT ____ "M" DOCK HEIGHT ____ "N" DOCK BUMPER/LEDGE COMBINED PROJECTION</p> <p>DRIVE APPROACH: <input type="checkbox"/> LEVEL <input type="checkbox"/> DECLINED <input type="checkbox"/> INCLINED</p> <p>FB- ____ QTY. ____ SHEET ____ OF ____</p>
<p><b>PMH</b> Material Handling Phone: 877-277-0001 e-mail: Sales@pmhmaterialhandling.com</p>		
JOB: _____		
LOCATION: _____		
CONTRACTOR: _____		ARCHITECT: _____
APPROVED BY SIGNATURE: _____		