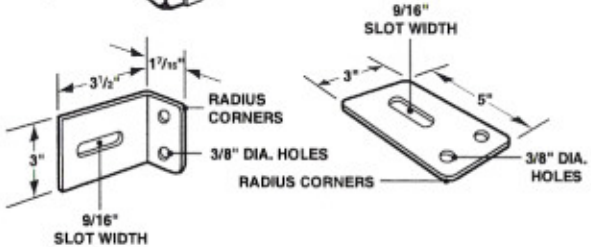
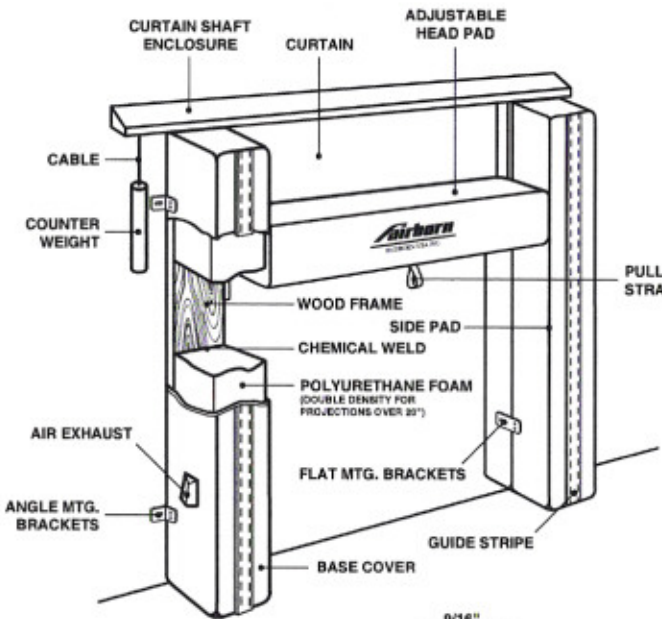
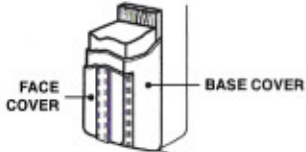
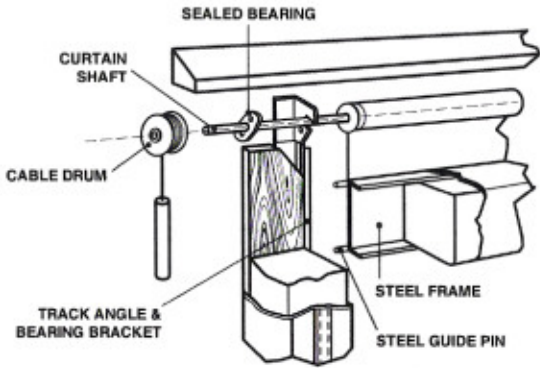


SERIES 1200
ADJUSTABLE
HEADER
DOCK SEAL



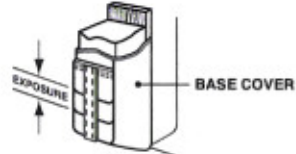
ANGLE AND FLAT MOUNTING BRACKETS



REINFORCED FACE

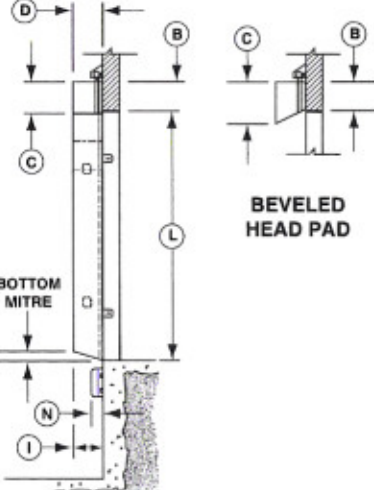
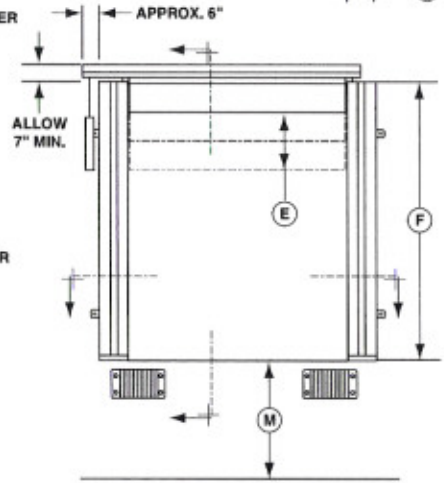
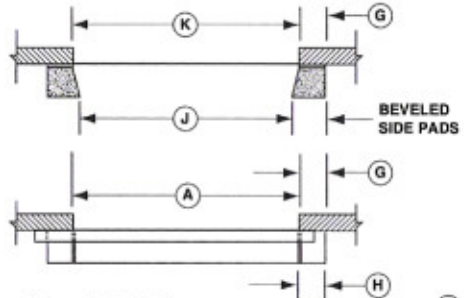


REINFORCED INSIDE



DYNA-ARMOR PLEATS

- 4" EXPOSURE
- 8" EXPOSURE
- 16" EXPOSURE



HEAD PAD DATA

- "A" WIDTH AT REAR
- "B" HEIGHT AT REAR
- "C" HEIGHT AT FACE
- "D" TOTAL PROJECTION
- BASE FABRIC
- COLOR

- BLOCKOUT (IF REQUIRED) PROJECTION
 - FABRIC
 - COLOR
- FACE REINFORCEMENT
 - FABRIC
 - COLOR
- UNDERSIDE REINFORCEMENT
 - FABRIC
 - COLOR

- HEAD PAD VERTICAL ADJUSTMENT "E"
- 18" (STB.)
 - 24"
 - 30"
 - OTHER _____"

- FORMED STEEL BACK
- PAINTED GALVANIZED

SIDE PAD DATA

- "F" LENGTH AT REAR
- "G" WIDTH AT REAR
- "H" WIDTH AT FACE
- "D" TOTAL PROJ. AT TOP
- "I" TOTAL PROJ. AT BOTTOM
- "J" SIDE PAD FACE I.D.
- BASE FABRIC
- COLOR

- BLOCKOUT (IF REQUIRED) PROJ.: TOP BOTTOM
 - FABRIC
 - COLOR
- FACE REINFORCEMENT
 - FABRIC
 - COLOR
- INSIDE EDGE REINFORCEMENT
 - FABRIC
 - COLOR

- DYNA-ARMOR PLEATS
 - FABRIC
 - COLOR
 - PLEAT EXPOSURE

- FORMED STEEL BACK
 - PAINTED GALVANIZED
- NON-ROT BACK

GENERAL INFORMATION

- "K" DOOR WIDTH
- "L" DOOR HEIGHT
- "M" DOCK HEIGHT
- "N" DOCK BUMPER/LEDGE COMBINED PROJECTION

- DRIVE APPROACH:
- LEVEL DECLINED INCLINED

FB- _____ QTY. _____ SHEET _____ OF _____

PMH Material Handling
 Phone: 877-277-0001
 e-mail: Sales@pmhmaterialhandling.com

JOB: _____

LOCATION: _____

CONTRACTOR: _____ ARCHITECT: _____

APPROVED BY SIGNATURE: _____