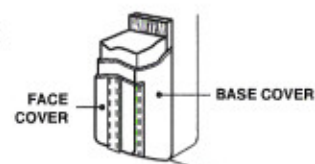
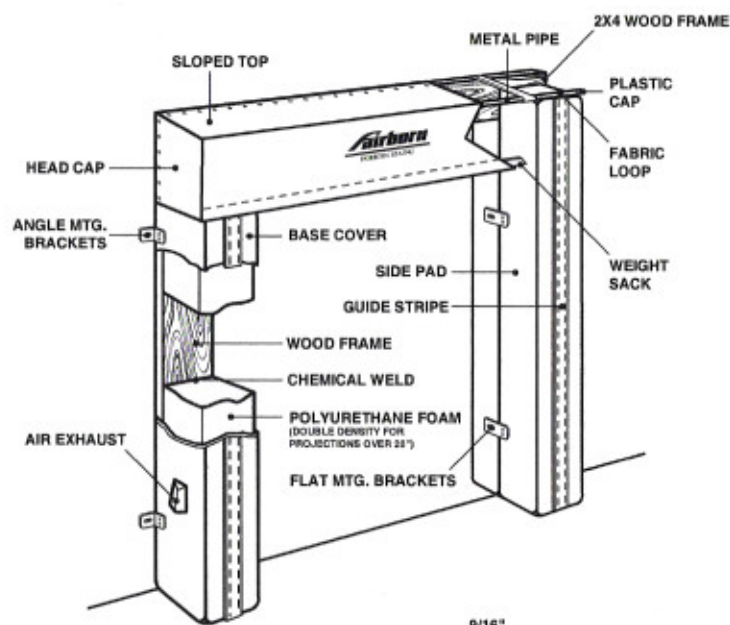
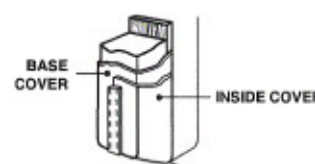


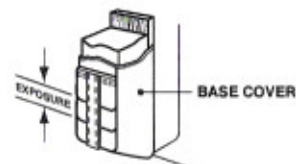
SERIES 1400
HEAD CAP TYPE
DOCK SEAL



REINFORCED FACE

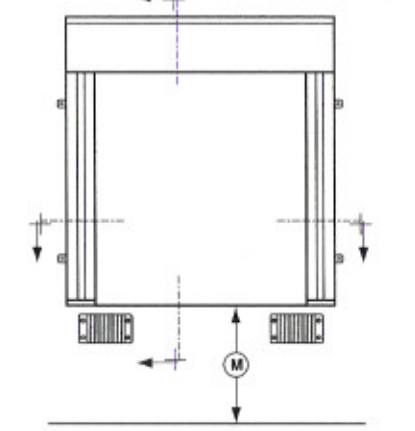
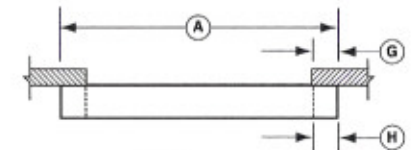
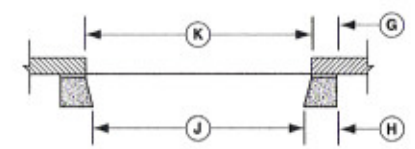


REINFORCED INSIDE

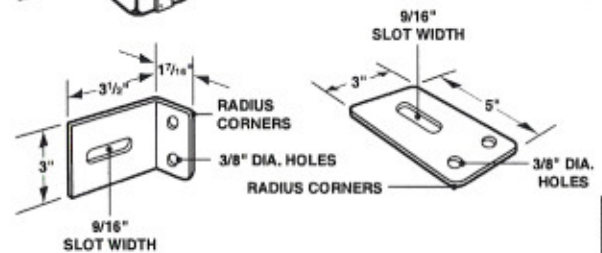
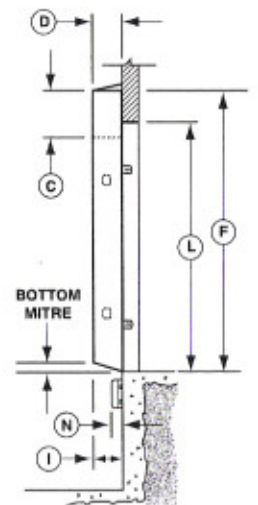


DYNA-ARMOR PLEATS

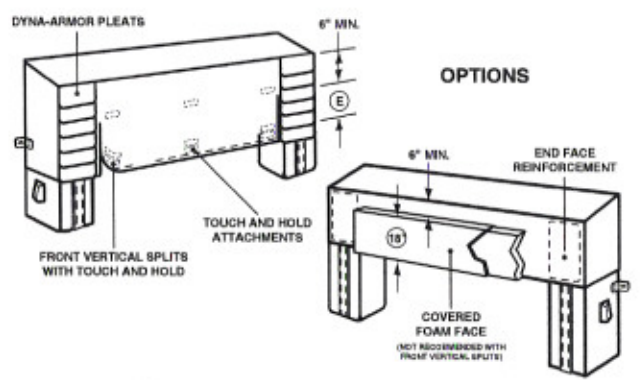
- 4" EXPOSURE
- 8" EXPOSURE
- 16" EXPOSURE



BEVELED SIDE PADS



ANGLE AND FLAT MOUNTING BRACKETS



OPTIONS

HEAD CAP DATA

- ___ "A" WIDTH
- ___ "C" HEIGHT AT FACE
- ___ "D" TOTAL PROJECTION
- ___ BASE FABRIC
- ___ COLOR

- END FACE REINFORCEMENT
 - ___ FABRIC
 - ___ COLOR
- DYNA-ARMOR ENDS
 - ___ FABRIC
 - ___ COLOR
 - ___ PLEAT EXPOSURE
- FRONT VERTICAL SPLITS
 - ___ "E" SPLIT HEIGHT (C-6" = MAX. SPLIT)
- TOUCH AND HOLD ATTACHMENT
- ROPE/PULLEY SYSTEM

COVERED FOAM FACE
4" THICK X 18" HIGH X
"J" SIDE PAD FACE I.D.

SIDE PAD DATA

- ___ "F" LENGTH AT REAR
- ___ "G" WIDTH AT REAR
- ___ "H" WIDTH AT FACE
- ___ "D" TOTAL PROJ. AT TOP
- ___ "I" TOTAL PROJ. AT BOTTOM
- ___ "J" SIDE PAD FACE I.D.
 - ___ BASE FABRIC
 - ___ COLOR
- BLOCKOUT (IF REQUIRED)
 - PROJ. ___ TOP ___ BOTTOM
 - ___ FABRIC
 - ___ COLOR
- FACE REINFORCEMENT
 - ___ FABRIC
 - ___ COLOR

INSIDE EDGE REINFORCEMENT

- ___ FABRIC
- ___ COLOR
- DYNA-ARMOR PLEATS
 - ___ FABRIC
 - ___ COLOR
 - ___ PLEAT EXPOSURE
- FORMED STEEL BACK
 - PAINTED GALVANIZED
- NON-ROT BACK

GENERAL INFORMATION

- ___ "K" DOOR WIDTH
 - ___ "L" DOOR HEIGHT
 - ___ "M" DOCK HEIGHT
 - ___ "N" DOCK BUMPER/LEDGE COMBINED PROJECTION
- DRIVE APPROACH:
- LEVEL DECLINED INCLINED
- FB- ___ QTY. ___ SHEET ___ OF ___

PMH Material Handling
Phone: 877-277-0001
e-mail: Sales@pmhmaterialhandling.com

JOB: _____

LOCATION: _____

CONTRACTOR: _____ ARCHITECT: _____

APPROVED BY SIGNATURE: _____