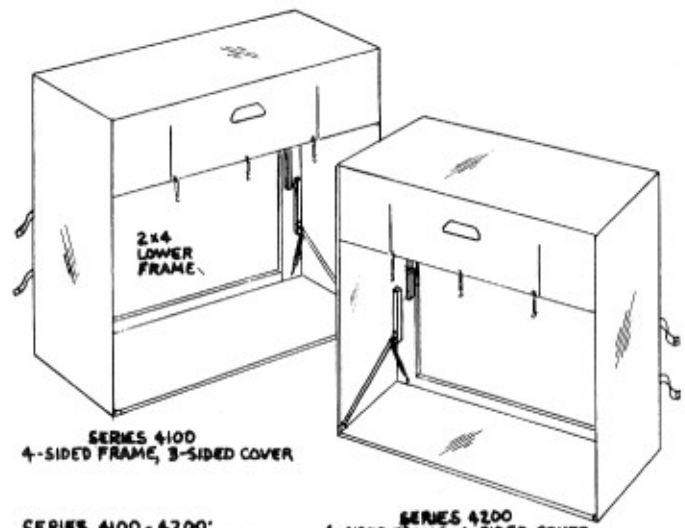


SERIES 4000
3-SIDED FRAME, 3-SIDED COVER



SERIES 4100
4-SIDED FRAME, 3-SIDED COVER

SERIES 4100 - 4200:
RECOMMEND BOTTOM TO BE
1'-0" BELOW DOCK LEVEL

SERIES 4200
4-SIDED FRAME, 4-SIDED COVER



TROLLEY
(BALL BRG. STEEL WHEELS - ZINC PLATED)



TRACK
(MIN. 16 GA. GALV. STEEL)



FRAME TEE
(DIE CAST STEEL - PLATED)

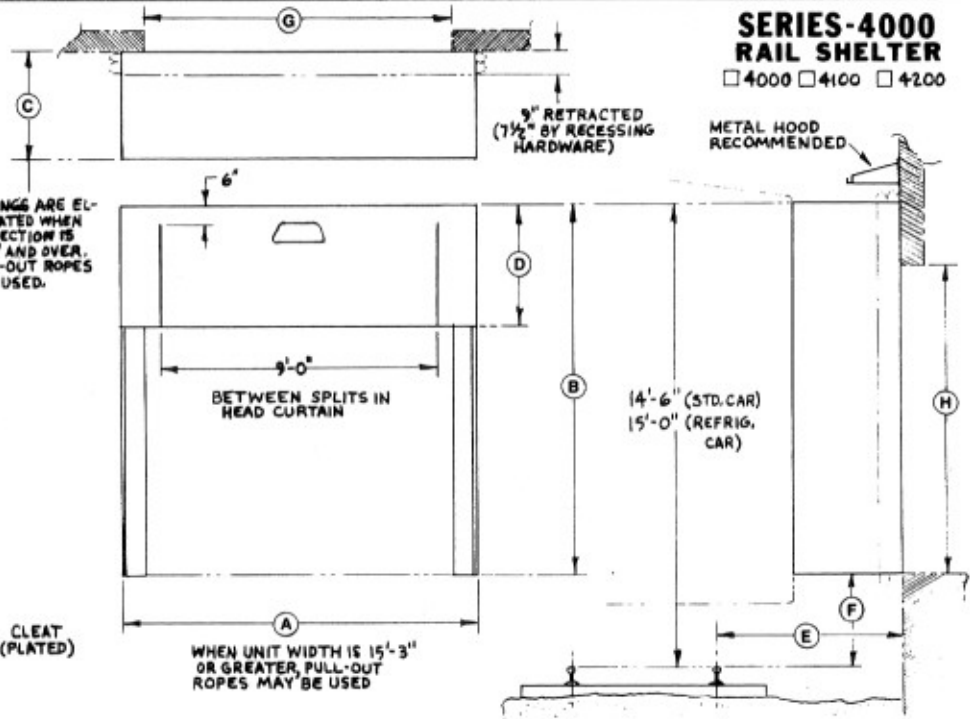


DOUBLE PULLEY
(PLATED)



SINGLE PULLEY
(PLATED)

SPRINGS ARE ELIMINATED WHEN PROJECTION IS 6'-1" AND OVER. PULL-OUT ROPES ARE USED.



SERIES-4000 RAIL SHELTER
□ 4000 □ 4100 □ 4200

METAL HOOD RECOMMENDED

WHEN UNIT WIDTH IS 15'-3" OR GREATER, PULL-OUT ROPES MAY BE USED

GENERAL INFORMATION

- ___ "E" DISTANCE BETWEEN CENTER LINE NEAREST RAIL & BUILDING FACE
- ___ "F" DOCK HEIGHT (FROM TOP OF RAIL)
- ___ "G" DOOR WIDTH
- ___ "H" DOOR HEIGHT
- ___ DISTANCE BETWEEN DOORS
- ___ CLEARANCE ABOVE DOOR
- PERMANENT RAIL RAMP
- CANTILEVER DOCK
- ___ HEIGHT ___ PROJ.
- OUTSIDE SLIDING DOCK DOOR

FABRIC TYPE

- 1001 1006
- 1004 1008
- 1005

UNIT DATA

- ___ "A" UNIT WIDTH
(RECOMMENDED: 6" INCREMENTS)
(MUST BE AT LEAST 16" GREATER THAN DOOR OPENING WIDTH)
- ___ "B" UNIT HEIGHT
(RECOMMENDED: 6" INCREMENTS)
(MUST BE AT LEAST 12" GREATER THAN PROJECTION)
(MUST BE AT LEAST 6" GREATER THAN DOOR OPENING - 4000 SERIES)
(MUST BE AT LEAST 18" GREATER THAN DOOR OPENING - 4100 & 4200 SERIES IF MOUNTED 12" BELOW DOCK LEVEL AS RECOMMENDED)
- ___ "C" UNIT PROJECTION
(DETERMINED BY SUBTRACTING 2' FROM DISTANCE BETWEEN CENTER LINE NEAREST RAIL AND BUILDING FACE)
- ___ "D" HEAD CURTAIN LENGTH
(RECOMMENDED: 11'-0" FROM TOP OF RAIL TO BOTTOM OF CURTAIN)

OPTIONAL EQUIPMENT

- FORMED STEEL FRAMING (MINIMUM 14 GAUGE)
- PAINTED GALVANIZED
- RECESSED HARDWARE
- PULL ROPE ASSEMBLY - HEAD CURTAIN
- COVERED FOAM FACE (4" x 4")
- NON-ROT WOOD PRESERVATIVE
- BLOW OUT BOTTOM (SERIES 4200 ONLY)

PMH Material Handling
Phone: 888-557-1515 Fax: 888-564-2525
e-mail: Sales@pmhmaterialhandling.com

CONTRACTOR: _____

ARCHITECT: _____

APPROVED BY: _____
Signature