

## THERMOSPAN™ 200 & 200-20 INSULATED OVERHEAD DOORS

PROJECT:

CONTRACTOR:

ARCHITECT:

DOOR DISTRIBUTOR:

DRAWING No.:

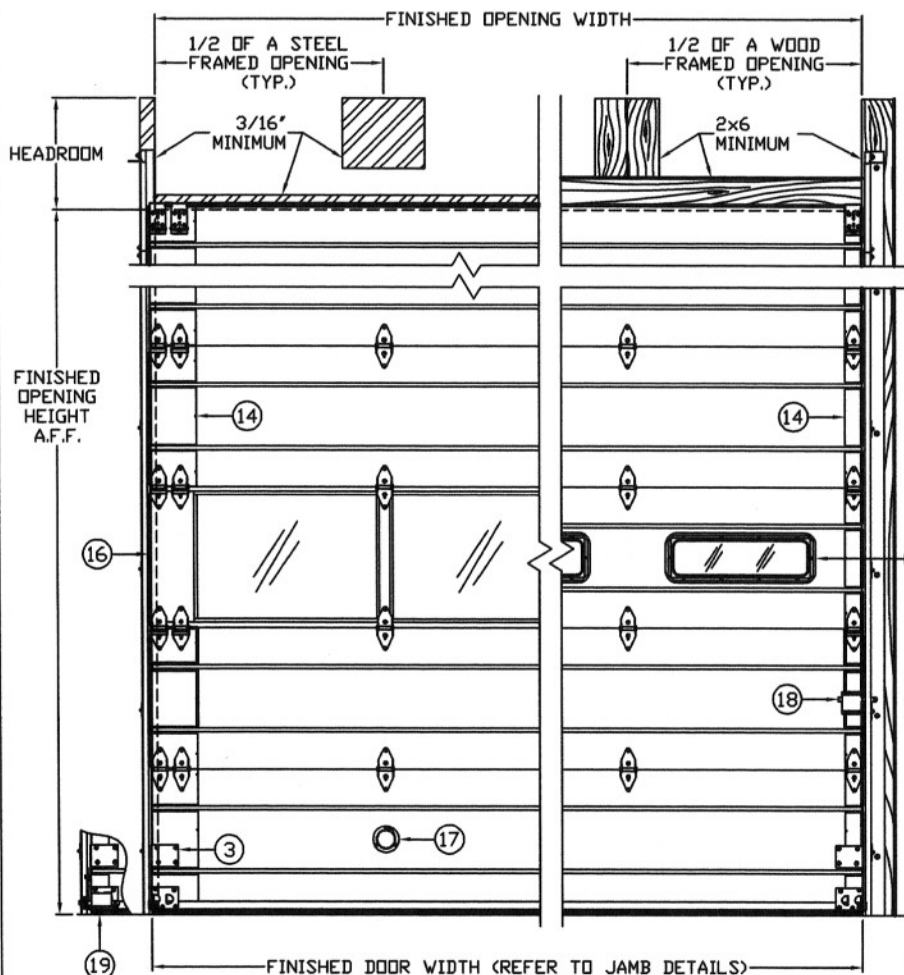
SHEET No.:

OF

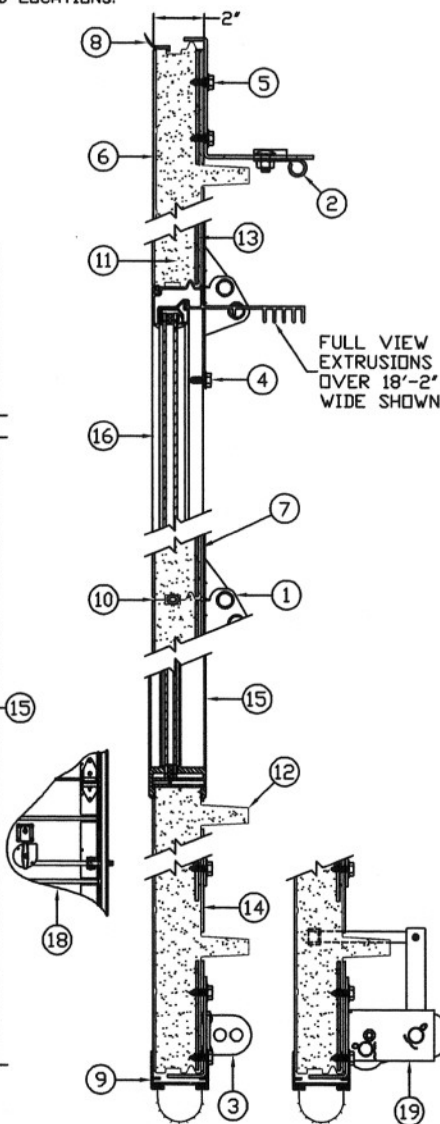
DRAWN BY:

DATE:

FRAMING NOTE: WAYNE-DALTON CORP. DESIGN ENGINEERS EACH COMMERCIAL SECTIONAL OVERHEAD GARAGE DOOR FOR INDIVIDUAL APPLICATIONS BASED ON PRODUCT & OPTIONS REQUIRED. ONE, TWO OR FOUR SPRING TORSION ASSEMBLIES ARE TYPICALLY SUPPLIED AS STANDARD. DUAL TORSION SHAFT ASSEMBLIES ARE SUPPLIED WHEN REQUIRED. WHEN IT IS TIME TO PREPARE THE OPENING(S) FOR INSTALLATION OF A WAYNE-DALTON PRODUCT, CONTACT OUR CUSTOMER SERVICE REPRESENTATIVES FOR MOUNTING PAD LOCATIONS.



INTERIOR ELEVATION



CONSTRUCTION

### STANDARD FEATURES

1. GRADUATED HOT-DIPPED GALVANIZED STEEL END HINGES (14 GA MINIMUM).
  2. ADJUSTABLE HOT-DIPPED GALVANIZED STEEL TOP BRACKETS.
  3. HOT-DIPPED GALVANIZED STEEL BOTTOM BRACKETS WITH CABLE ATTACHMENT.
  4. (4) 1/4-20 TEK SCREWS PER HINGE.
  5. (4) 1/4-20 TEK SCREWS PER TOP BRACKET.
  6.  THERMOSPAN 200 - EXTERIOR-HOT-DIPPED GALVANIZED STEEL .022" MINIMUM EMBOSSED NON-REPEATING RANDOM STUCCO PATTERN WITH (7) ROLL-FORMED SHALLOW HORIZONTAL RIBS.
  7.  THERMOSPAN 200-20 EXTERIOR-HOT-DIPPED GALVANIZED STEEL 20 GAUGE FLUSH. PRE-PAINTED PRIOR TO ROLL-FORMING (.2 MIL PRIMER & .7 MIL POLYESTER FINISH COAT).  WHITE  BROWN (THERMOSPAN 200 ONLY).
  8. INTERIOR-HOT-DIPPED GALVANIZED SMOOTH STEEL PRE-PAINTED PRIOR TO ROLL-FORMING (.6 MIL POLYESTER WHITE FINISH COAT).
  9. PVC TOP SECTION HEAD SEAL.
  10. PVC RETAINER WITH "BULB-SHAPED" BOTTOM ASTRAGAL.
  11. TONGUE & GROOVE JOINT WITH RUBBER JOINT SEAL.
  12. CFC FREE POLYURETHANE CORE SANDWICH-TYPE CONSTRUCTION INCLUDES THERMAL BREAKS EACH SECTION. ASHRAE CALCULATED "R"-VALUES: THERMOSPAN 200=17.59/THERMOSPAN 200-20=17.46
  13. (2) 1-3/4" INTEGRAL ROLL-FORMED STRUTS PER SECTION.
  14. 20 GA. BUILT-IN REINFORCEMENT PLATES FOR HARDWARE ATTACHMENT.
  15. HOT-DIPPED GALVANIZED STEEL WRAP-AROUND END CAPS.
  16. 18 GA.-SINGLE END HARDWARE (UP TO 14'-2" WIDE).
  17. 16 GA.-DOUBLE END HARDWARE (OVER 14'-2" WIDE).
- U.S. PATENT PRODUCT 4238544 - 4339487

### FREQUENTLY SELECTED OPTIONS

15. 24x6 LITES WITH HIGH-IMPACT POLYMER FRAME:
    - 1/2" DOUBLE INSULATED SSB THERMOLITE
    - 1/4" ACRYLIC (PLEXIGLASS)
    - 1/4" POLYCARBONATE (LEXAN)
    - 1/4" POLISHED WIRE GLASS
    - 1/2" DOUBLE INSULATED TEMPERED THERMOLITE
- \_\_\_\_\_ No. SECTIONS GLAZED
- \_\_\_\_\_ No. LITES PER SECTION
16. ALUMINUM FULL VIEW SECTION:  WHITE  BROWN
    - 1/8" DSB
    - 1/8" ACRYLIC (PLEXIGLASS)
    - 1/8" TEMPERED GLASS
    - 1/8" POLYCARBONATE (LEXAN)
    - 1/4" TEMPERED PLATE GLASS
    - 1/4" POLISHED WIRE GLASS
    - 1/4" PLATE GLASS
    - 1/4" ACRYLIC (PLEXIGLASS)
    - 1/4" POLYCARBONATE (LEXAN)
    - 1/2" DOUBLE INSULATED (SSB GLASS)
    - 1/2" DOUBLE INSULATED (TEMPERED GLASS)
- \_\_\_\_\_ No. FULL VIEW SECTIONS
17.  3" EXHAUST PORT (CENTERED BOTTOM SECTION).
  18.  OMIT LOCKING (INSIDE SIDE LOCK STANDARD)
  - STANDARD SIZE RIM CYLINDER SHORT LOCK BAR (NOT AVAILABLE IN ALUMINUM FULL VIEW).
  19.  CABLE FAILURE DEVICE.