

# PITTSBURGH Material Handling

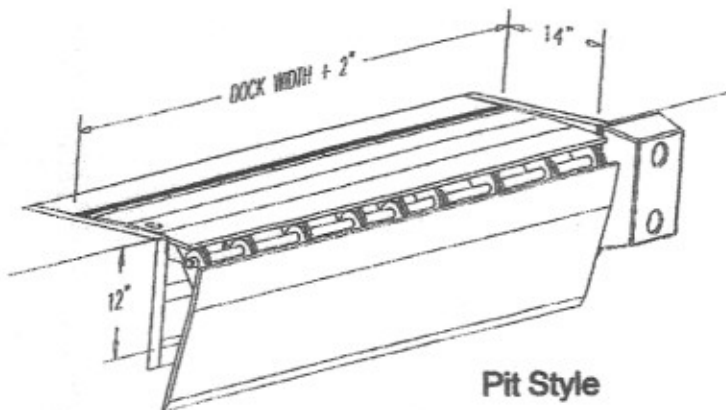
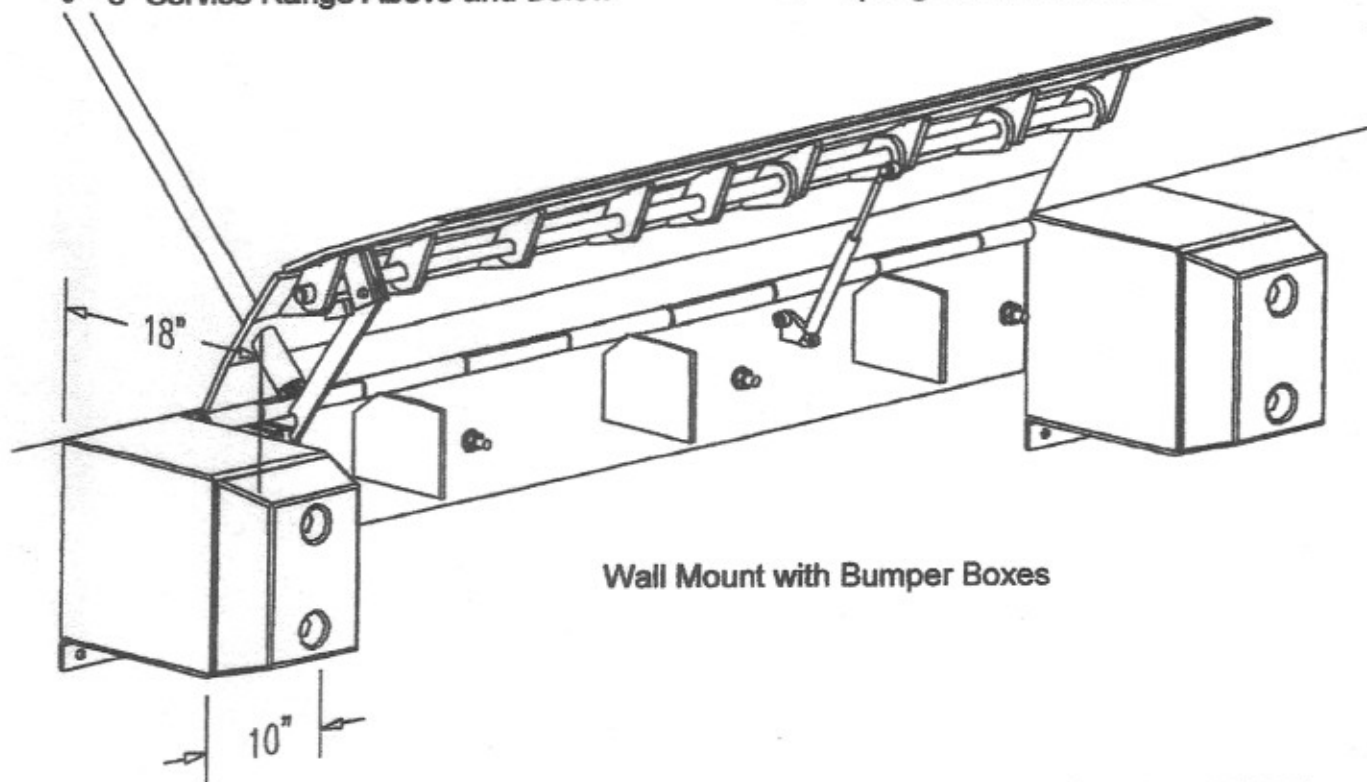
410 Sunshine Avenue + PO Box 40 + Central City, PA 15926

Phone: (888) 557-1515 + Fax: (888) 564-2525

www.pghmaterialhandling.com

## STANDARD FEATURES:

- Lug Type Lip Hinge
- Lever Activated Lip Extension
- Fixed Rear Hinge (No Pinch Point)
- 5" Service Range Above and Below
- 16" Lip (With 18" Option)
- Automatic Return to Dock
- Solid Steel Bumper Blocks
- Spring Counterbalanced



## MATERIAL SPECIFICATIONS:

- A. 1/2" (30K) OR 3/8" (20K) 50 ksi. TREAD PLATE LIP
- B. 1/2" (30K) OR 3/8" (20K) SELF CLEANING LIP LUGS
- C. 1" PLATED LIP HINGE ROD
- D. 1/2" (30K) OR 3/8" (20K) 50 ksi. TREAD PLATE DECK
- E. FULL WIDTH PLATED REAR HINGE ROD
- F. 10" X 13" X 4" MOULDED BUMPERS