

# Selection Chart

General Application	Model Number	Strip Width x Thickness	Strip Max. Over-Door		Standard*	FDA/Low Temp.	FDA/Low Temp. Reinforced	Colorview (consult factory for colors)	Amberweld	Loc-Rib Standard	Loc-Rib FDA/Low Temp.	Safety Orange	Anti-Static		
			Lap	Height											
<p><b>TO ORDER:</b></p> <p>In the Selection Guide, find the model number that corresponds to the application, maximum door height and strip material you require. When ordering indicate your exact door opening dimensions and specify if the strip door is to be wall or jamb mounted, or requires other special hardware. If the door is to be wall mounted, add 6 inches to the actual door opening height, and 4 inches to the overall door opening width.</p>	<p><b>PERSONNEL</b></p> <p>For use in restaurants and small openings in walk-in coolers and non-windy doorways.</p>	<b>4061</b>	4" x .060"	1"	8'	●	●	●							
	<p><b>PERSONNEL: LIGHT CARTS</b></p> <p>For use in walk-through coolers, freezers and doorways with light cart traffic.</p>	<b>6601</b>	6" x .060"	1"	8'	●	●	●	●				●		
		<b>6602</b>		2"	10'										
	<p><b>LIGHT INDUSTRIAL</b></p> <p>For interior use with cart, pallet jack and light forklift traffic. Okay for small exterior doorways with some air movement and cold storage coolers and freezers.</p>	<b>8801</b>	8" x .080" (.120" available)	1"	8'										
		<b>8802</b>		2"	12'	●	●	●	●	●	●	●	●	●	●
		<b>8803</b>		3"	16'										
	<p><b>INDUSTRIAL</b></p> <p>Heavy lift-truck traffic in docks, doorways and cold storage coolers, or freezers. Okay for use in exterior doorways and dock enclosures. Provides good sound attenuation.</p>	<b>121203</b>	12" x .120" (.080" available)	3"	22'	●	●	●	●	●	●	●	●	●	
		<b>121206</b>		6"	25'										
	<p><b>HEAVY INDUSTRIAL</b></p> <p>Heavy duty lift-truck or vehicle traffic in large dock, door or craneway openings. Reduce sand, dust, chip, and wind penetration. Not designed for walk-through.</p>	<b>161604</b>	16" x .160" (.080" available)	4"	25'	●	●			●	●	●			
		<b>161608</b>		8"	25'										

\*Also available in 48" width at .080", .120" and .160" thick.



## EconoClear™ Flexible Door

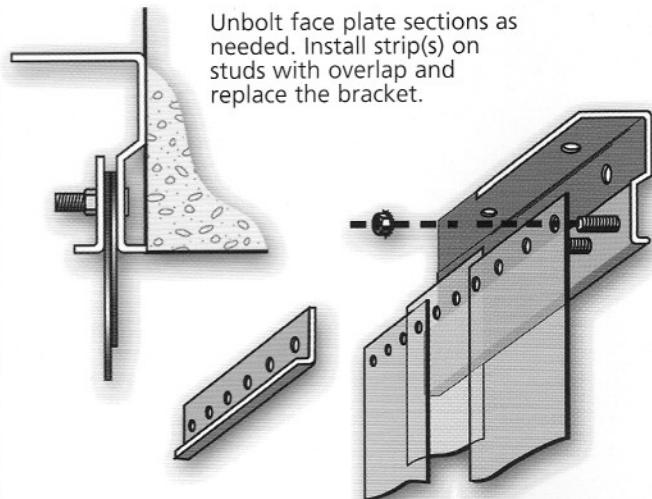
- Designed for use in walk-in coolers and food preparation areas
- Complete visibility for maximum safety
- Self-closing hinge has zinc base and powder coated arm for strength and corrosion resistance
- Door panel is reinforced with belting material at attachment points for durability
- Optional low temperature or anti-static material available
- Easy installation and virtually maintenance free

# Proven Performance

## Create A Strip Door Or Partition With Chase Doors Engineering, Know-How and Proven Performance

Chase Doors engineers have developed unique hardware systems that provide solutions to hundreds of simple or challenging mounting problems. Only Chase Doors offers a choice of a J-Hook Strip mount or EconoTrack mounting bracket featuring easy strip replacement. Our patented mounts are designed and tested to insure fast installation and long-term performance in hundreds of special one-of-a-kind applications, regardless of traffic flow, floorplan, door structure or environment.

### EconoTrack Mounting Bracket



Unbolt face plate sections as needed. Install strip(s) on studs with overlap and replace the bracket.

### EconoTrack Mounting Bracket

The Durable, versatile EconoTrack Bracket can be used for both surface and in-jamb mounting on small or very large openings. EconoTrack's formed steel face plate holds strips firmly while allowing flex without breaking. These rugged brackets are constructed of 14 gauge galvanized steel with 1/4" studs. Face plates are formed in 12" sections for easy strip replacement.

The EconoTrack Mounting Bracket is the most popular design in the industry. Its simple strip replacement feature allows the customer to replace individual strips cut-to-size from the factory, or cut and punched in the field.

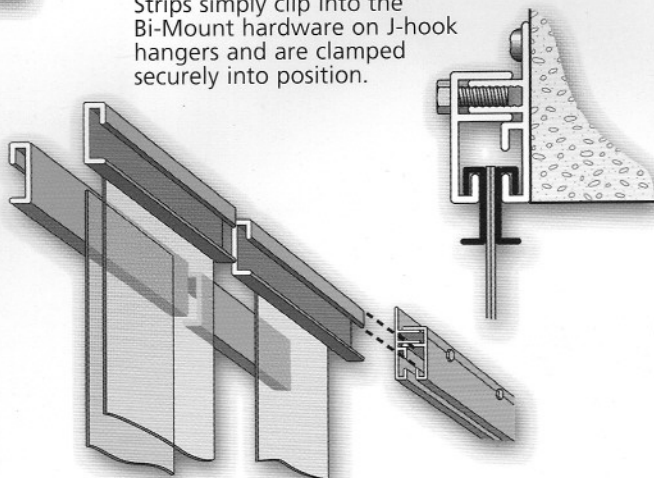
### J-Hook Compatible Mounting Bracket

In the unique J-Hook system, J-Hook hangers - each with a strip attached - are hung from a 2-part extruded aluminum bracket. Hangers are easily lifted out to replace strips. A continuous welded bond between each strip and its J-Hook insures long life.

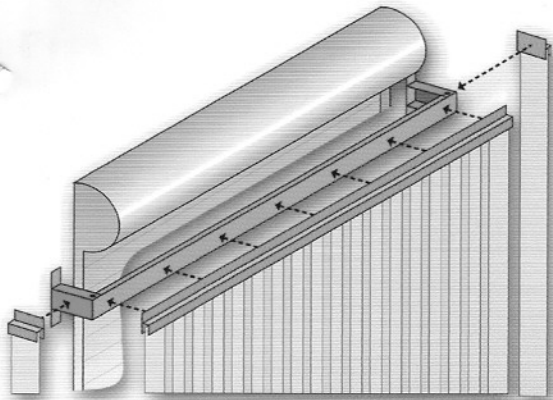
Installation is simple: Just screw the aluminum mounting hardware flush to the wall, or to brackets in the door jamb, or into any other special mounting hardware. Then hang the J-hook mounted strips into place and tighten the clamping bolts. Strips will hang straight and level with the correct overlap.

### J-Hook Compatible Mounting Bracket

Strips simply clip into the Bi-Mount hardware on J-hook hangers and are clamped securely into position.

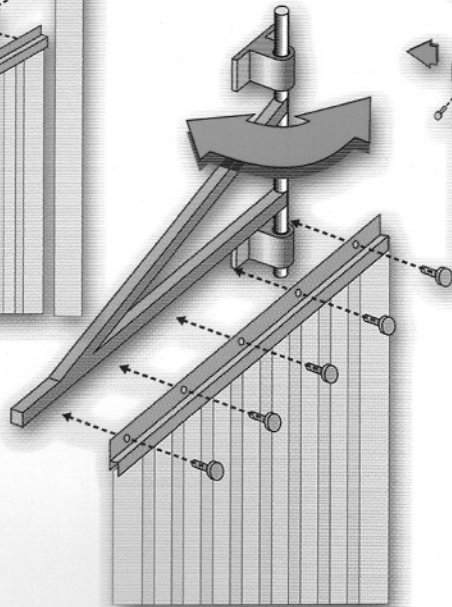


# Bracket Options That Ensure A Perfect Fit



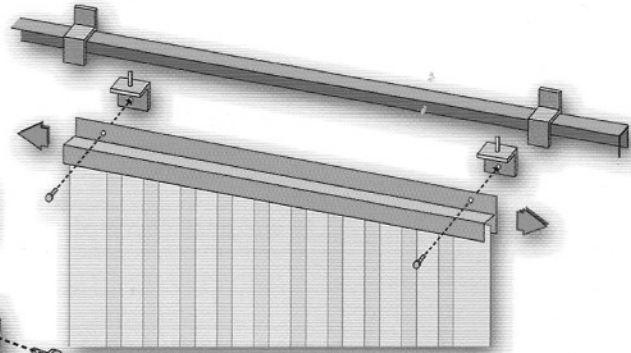
## Overhead/Roll-Up Door Bracket

Brackets extend out and around the door assembly so strips can be mounted inside for protection from weather or vandalism when the door is closed.



## Gate Hinge

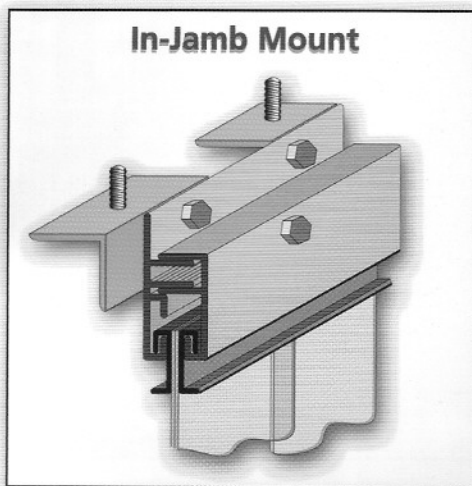
Allows the strip door to be swung out of the opening when not required. A retractable bolt locks the hinge in place.



## Trolley Mount

The strip door can be parted in the center or rolled to one side using this heavy duty roller/track assembly.

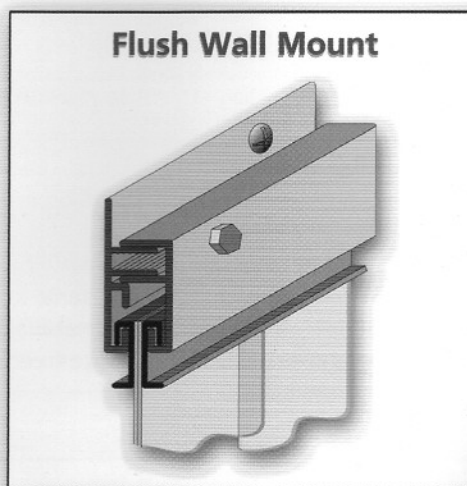
Whether your Econo Max Strip Door requires special moving hardware like a trolley mount or a gate hinge, or simply hangs on a wall or in a door jamb, our customer service representatives, application engineers and R&D staff can draw from our proven mounting hardware solutions or create unique designs to suit your needs.



## In-Jamb Mount

### In-Jamb Mounting

Mounts to angle brackets beneath the header or lintel when flush wall mounting is impractical.



## Flush Wall Mount

### Flush Wall Mounting

Mounts above opening with extra height and width to provide overlap at sides.

## Other Mounting Options

- Flush wall fixed hang
- In-jamb fixed hang
- Gravity Hinge
- Moveable in-truck mount